

General Specifications

General Data	
Supply Voltage (rated)	6V / 12V / 30V
Rated Travel Angle	$\pm 45^\circ = 90^\circ$
Max. Travel Angle	$\pm 175^\circ = 350^\circ$
Operating Temperature	-30°C...+70°C [-22°F...+158°F]
Storage Temperature	-55°C...+85°C [-67°F...+185°F]
Backlash (servo not powered)	< 0.5°
Backlash (servo powered)	0.1°
Position Error under Temperature	$\pm 0.4^\circ$
Resolution	0.088°
Standby Current	40mA

Material / Shielding / Protection	
Case Material	Saltwater Resistant Aluminum Alloy
Case Surface Treatment	HART-Coat
Splashwater Resistance	IP67
Saltwater Resistance	Standard (100hrs)
EMI / RFI Shielding	Standard
Gear Set Material	Hardened Steel
Gear Protection System (ISS)	Standard

Dimensions / Weight	
Case Dimensions mm (in)	41,4 (1.63) x 63,7 (2.51) x 14,6 (0.57)
Weight	54g / 1.9oz

Communication Interfaces	
PWM, RS 485, S-BUS	

PRELIMINARY DATA SHEET



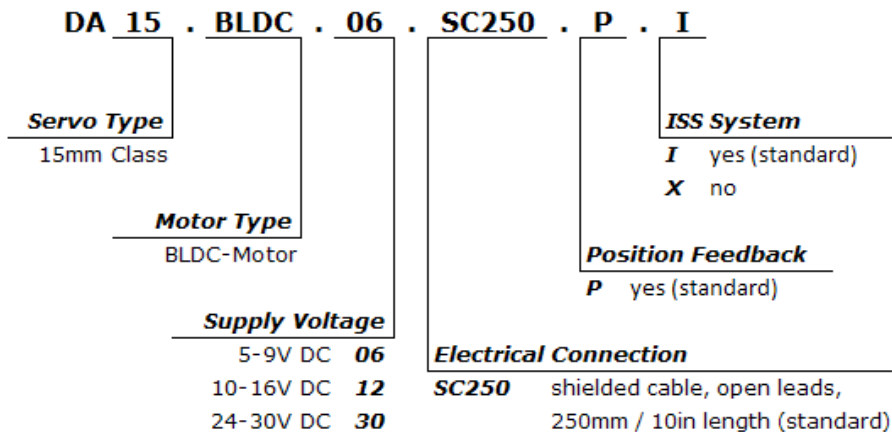
Operating Specifications

Operating Data 6V-Version	
Supply Voltage (rated)	6V
Supply Voltage Range	5...9V
Stall Torque (at rated voltage)	72Ncm / 102oz-in
Rated Torque (at rated speed)	tbd
No Load Speed (at rated voltage)	361% <i>s</i>
Rated Speed (at rated voltage)	tbd

Operating Data 12V-Version	
Supply Voltage (rated)	12V
Supply Voltage Range	10...16V
Stall Torque (at rated voltage)	72Ncm / 102oz-in
Rated Torque (at rated speed)	tbd
No Load Speed (at rated voltage)	330% <i>s</i>
Rated Speed (at rated voltage)	tbd

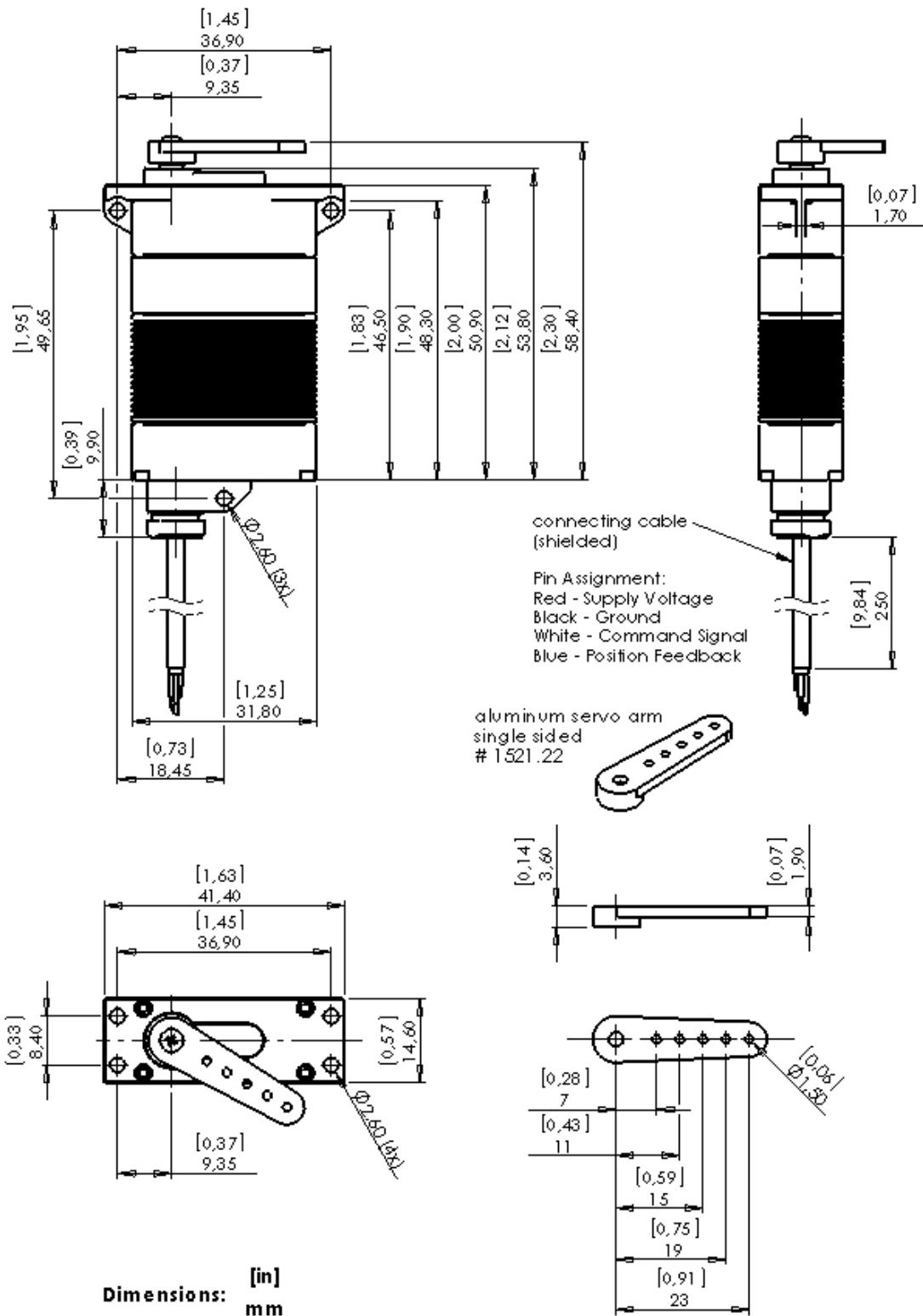
Operating Data 30V-Version	
Supply Voltage (rated)	30V
Supply Voltage Range	24...30V
Stall Torque (at rated voltage)	tbd
Rated Torque (at rated speed)	tbd
No Load Speed (at rated voltage)	tbd
Rated Speed (at rated voltage)	tbd

Item-Number System



PRELIMINARY DATA SHEET

Installation Dimensions



PRELIMINARY DATASHEET