

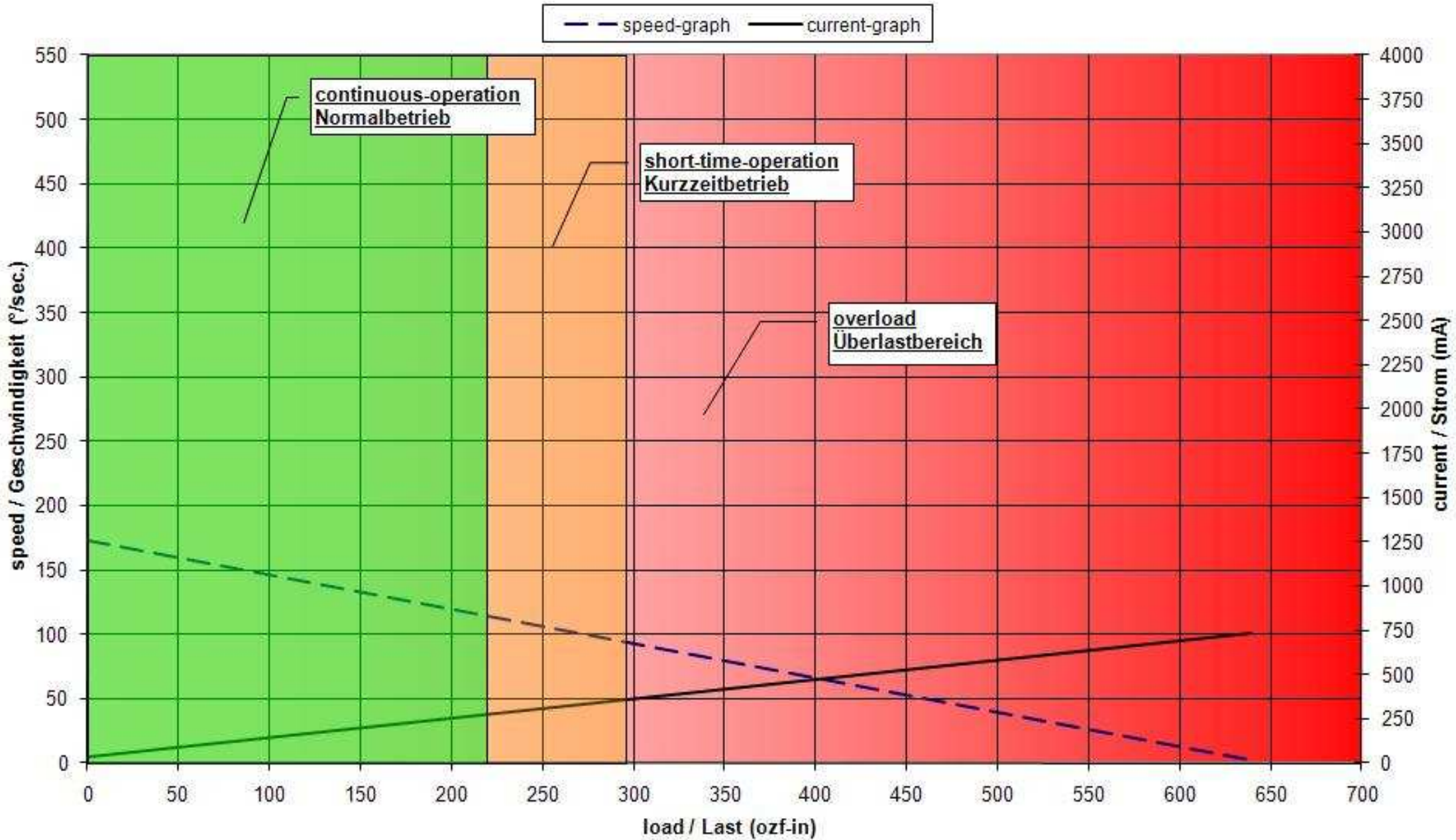
DA 22-SUB-30-4128

Supply Voltage	
Operating voltage	20-30 Volt
Signal voltage	TTL level
Current consumption	at 30 Volt
Stand by *	< 10 mA
Stall current *	730 mA
Input pulse	
Frame rate	2,6-2000 ms
Valid pulse lengths	1,0 – 2,0 ms
Left / Center / Right	1,0 ms / 1,5 ms / 2,0 ms
Resolution	< 0,5 µsec.
Operating data at 30 Volts	
Peak stall torque *	> 480 oz-in
Continuous torque	254 oz-in
No load speed *	170° / sec.
Max. travel angle (standard)	+/- 85° = 170° total travel
Max. travel angle (optional)	+/- 165° = 330° total travel
Deadband (mechanical)	< 0,5°
Deadband (electrical)	< 0,5 µsec.
Position error under temperature:	< 0,3 -5° F. to +120° F. (= Delta 125° F.)
Operating temperature	-22° F. - +158° F.
Max. storage temperature	-31° F. - +176° F.
Material / Shielding / Protection	
Case	Saltwater corrosion resistant aluminium bronze alloy (Marine Bronze)
Pressure proof	300ft
Salt water resistance	Standard
EMI / RFI shielding	Standard
Gear set	hardened steel
Gear protection system	Standard: ISS-System
Dimensions / Weight	
Case dimensions / Weight	1.75" x 3.17" x 0.98" / 13.12oz. ± 0,1" / ± 5%
Item Number #	# 22.SUB.30.4128

The actuator is fully programmable using programming tool # 985

* tolerance ± 10 %

DA 22-Sub-30-4128



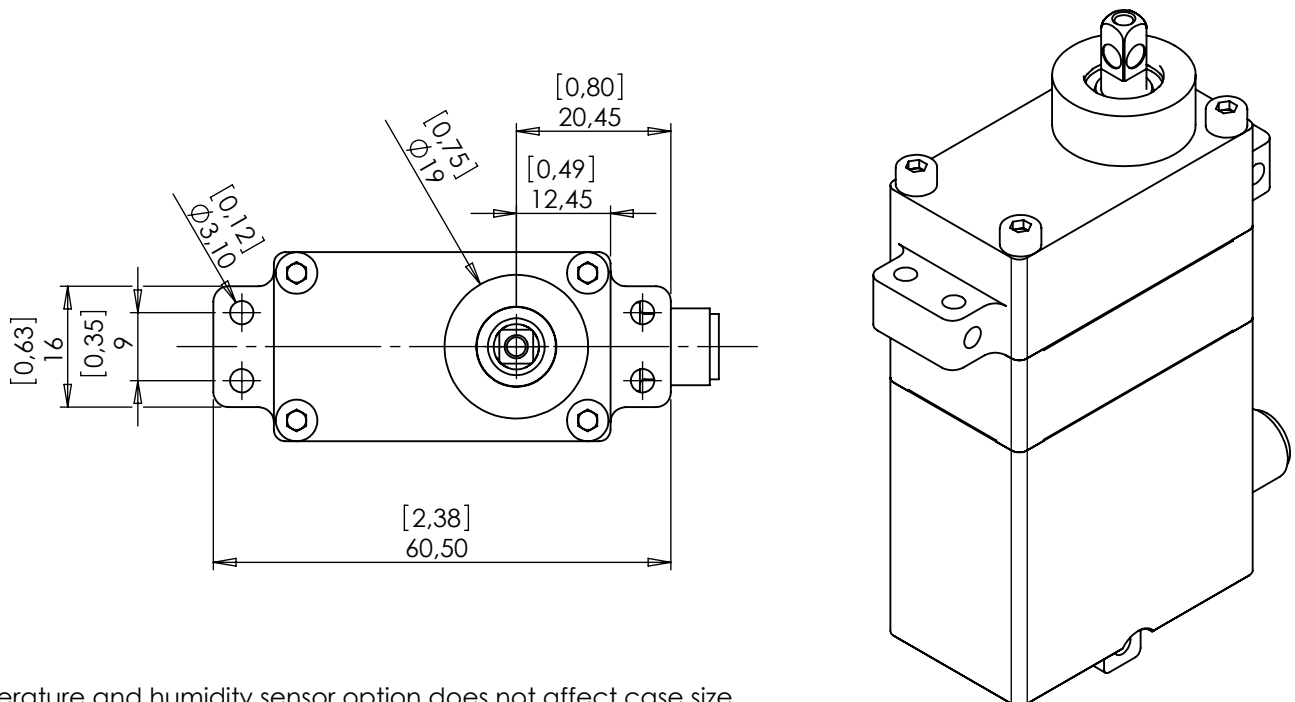
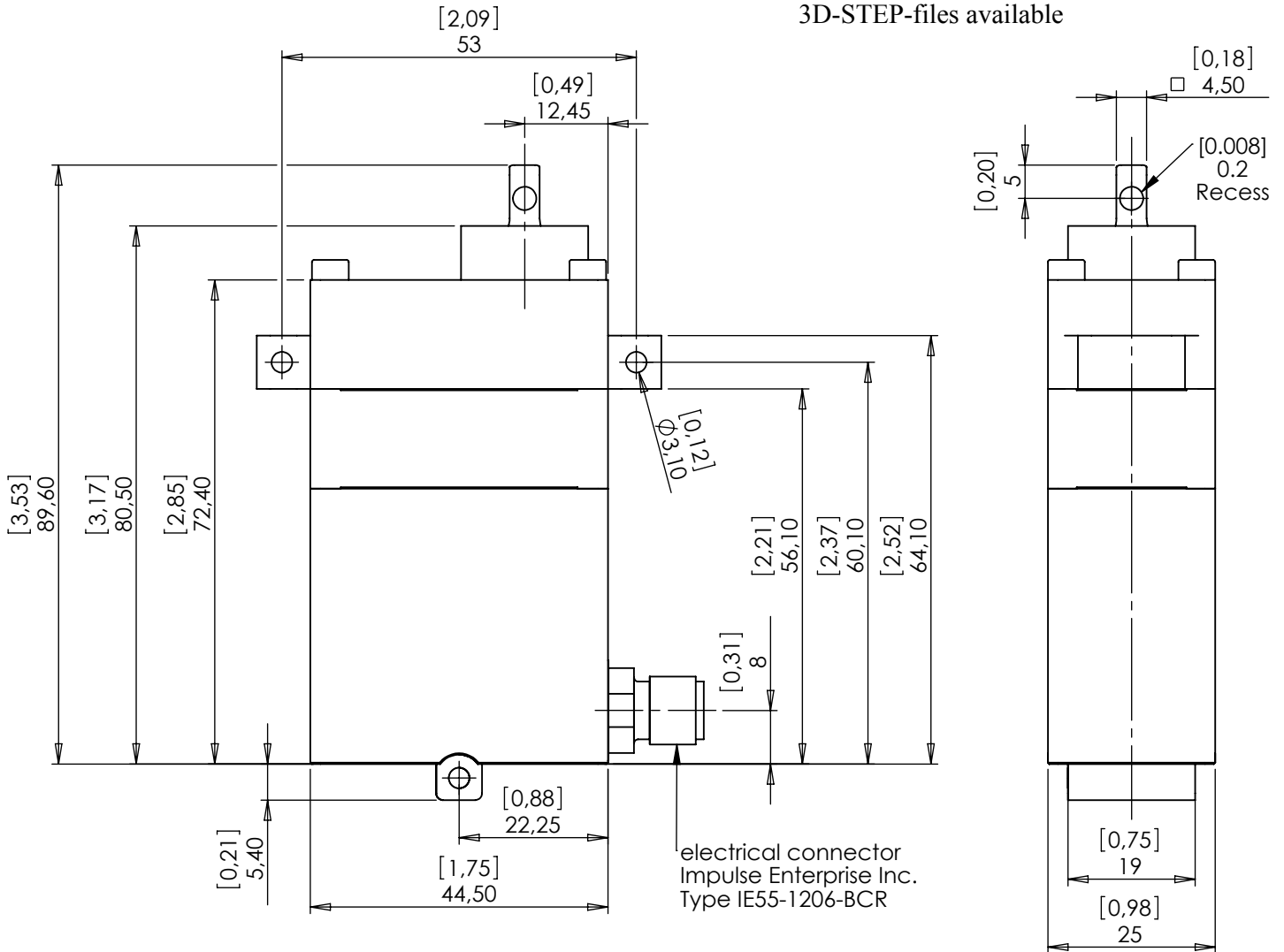
DA 22-SUB-Series

DA 22-SUB-30-4128

Side connector option

dimensions: [Inches]
mm

3D-STEP-files available

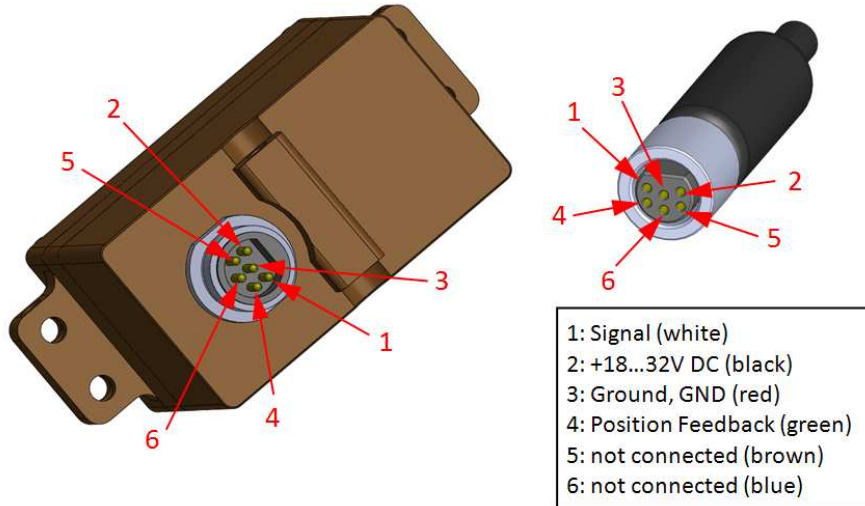


Temperature and humidity sensor option does not affect case size.

DA 22-SUB

Pin Assignment

DA 22-SUB-30-4128 Standard Version



DA 22-SUB-30-4128 Temperature & Humidity Option

