

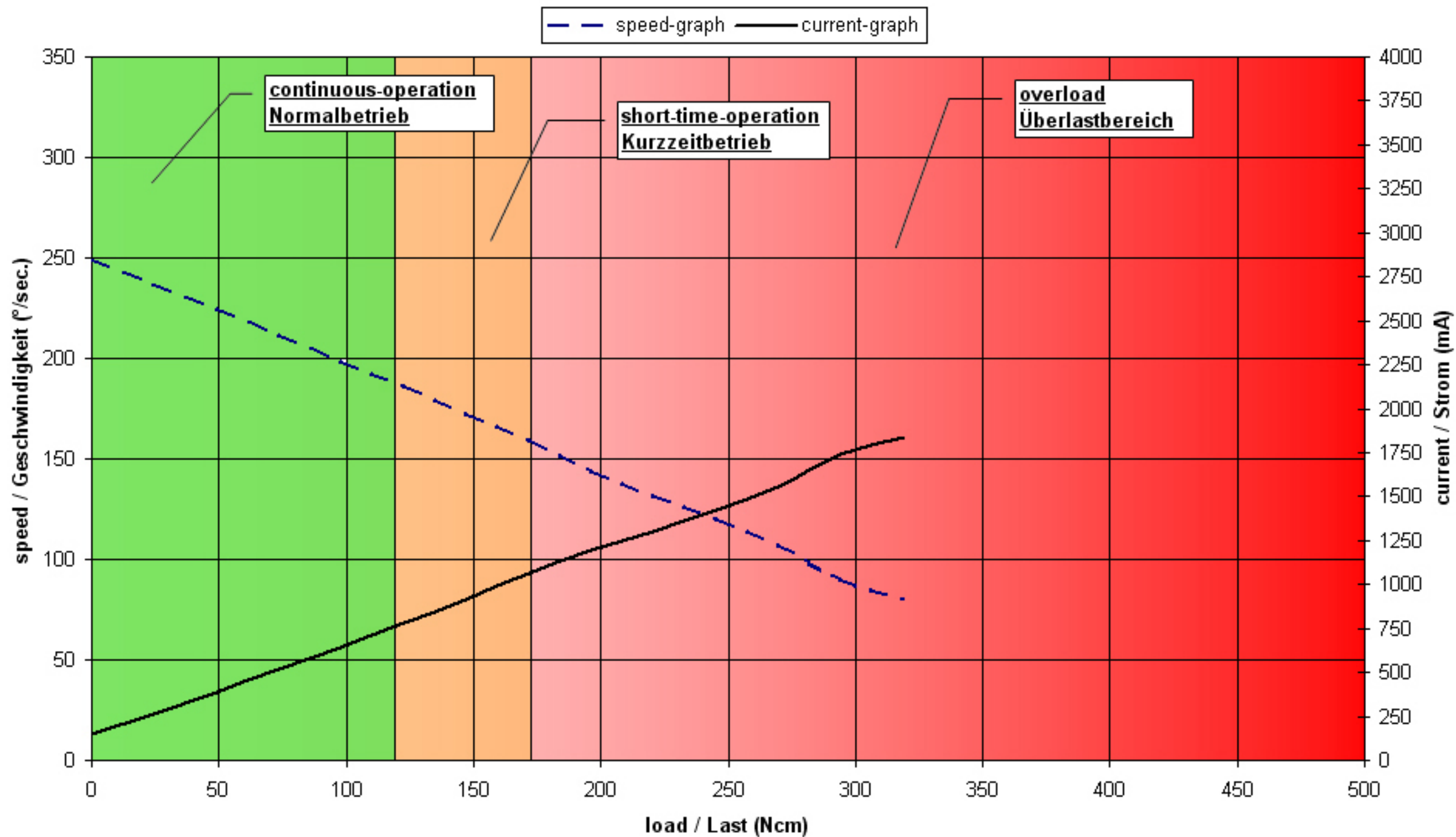
## DA 22-12-4112

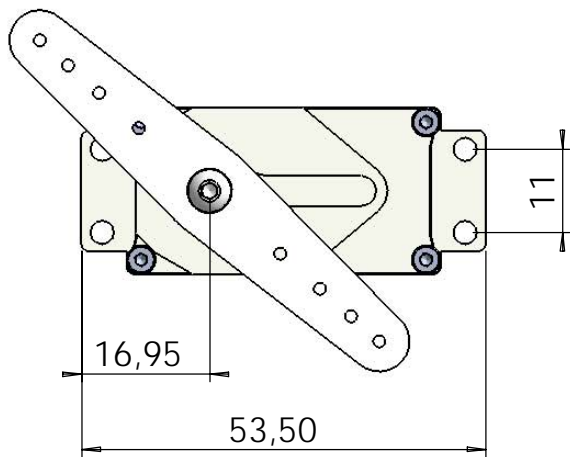
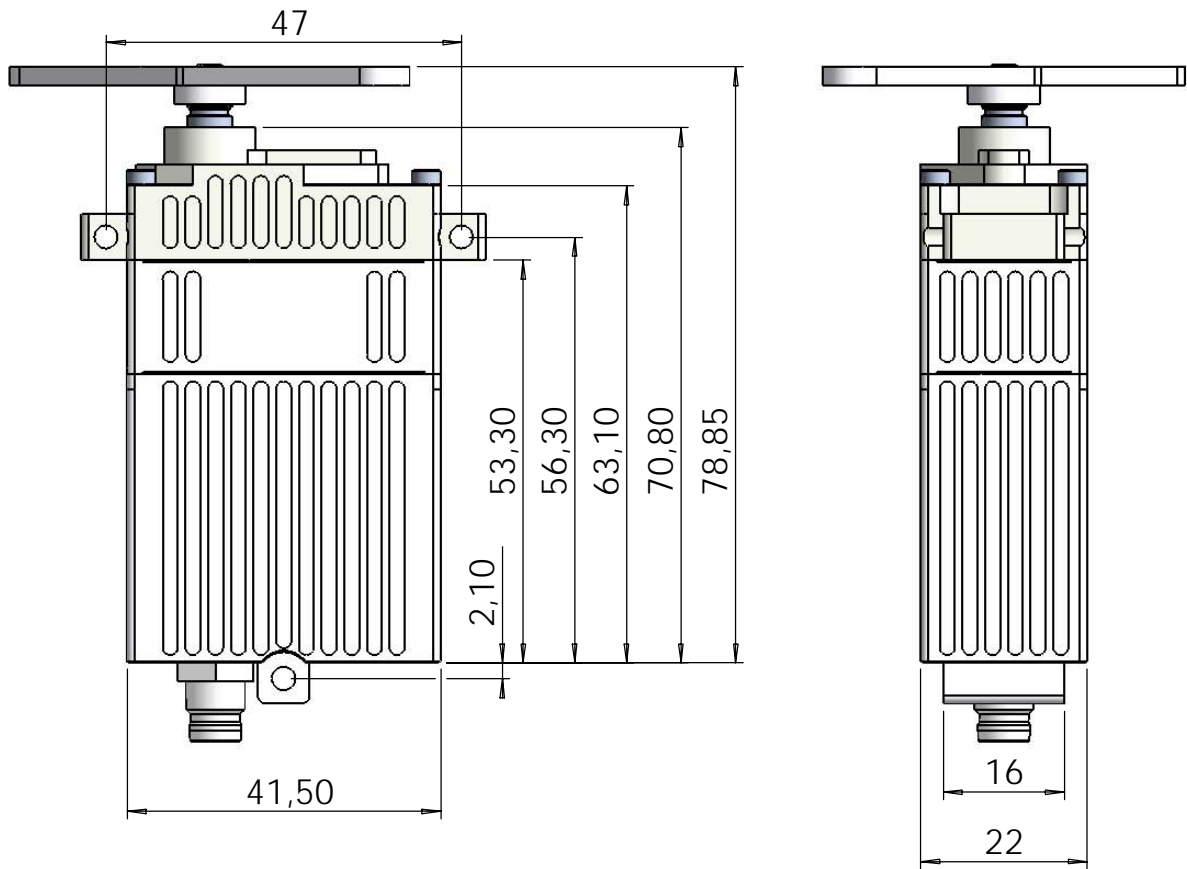
<b>Supply Voltage</b>	
Operating voltage	12 Volt
Signal voltage	TTL level
Current consumption	at 12 Volt
Stand by *	< 10 mA
Stall current *	2100 mA
<b>Input pulse</b>	
Frame rate	2,6-2000 ms
Valid pulse lengths	1,0 – 2,0 ms
Left / Center / Right	1,0 ms / 1,5 ms / 2,0 ms
Resolution	< 0,5 µsec.
<b>Operating data at 12 Volts</b>	
Peak stall torque *	> 350 Ncm
Continuous torque *	120 Ncm
No load speed *	250° / sec.
Max. travel angle (standard)	+/- 85° = 170° total travel
Max. travel angle (optional)	+/- 165° = 330° total travel
Deadband (mechanical)	< 0,5°
Deadband (electrical)	< 0,5 µsec.
Position error under temperature:	< 0,3 -20° C. to +50° C. (= Delta 70° C.)
Operating temperature	-30° C. - +70° C
Max. storage temperature	-35° C. - +80° C
<b>Material / Shielding / Protection</b>	
Case	Saltwater corrosion resistant aluminium alloy
Splash water resistance	Standard
Salt water resistance	Standard
EMI / RFI shielding	Standard
Gear set	hardened steel, english silver, brass
Gear protection system	Standard: ISS-System
<b>Dimensions / Weight</b>	
Case dimensions / Weight	41,6 x 66,0 x 22,0 mm / 132 g ± 0,2 mm / ± 5%
Item Number #	# 22.12.4112

The actuator is fully programmable using programming tool # 985

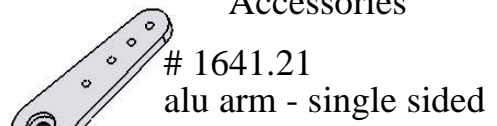
\* tolerance ± 10 %

# DA 22-12-4112

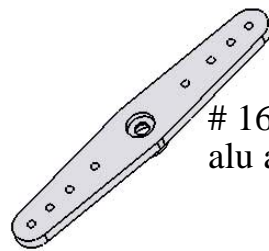




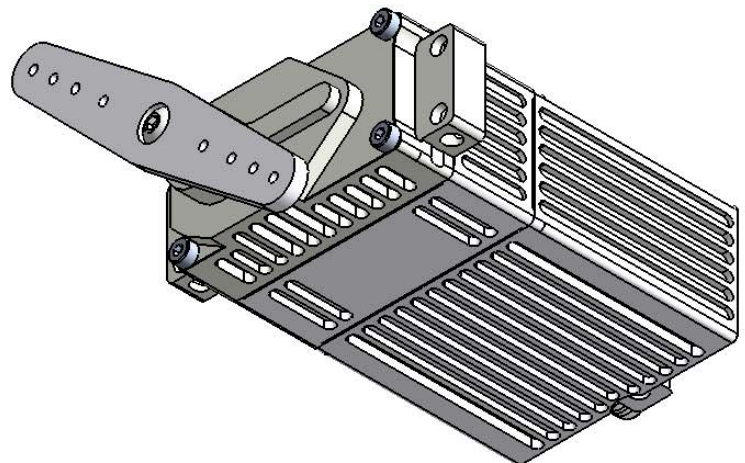
Accessories



# 1641.21  
alu arm - single sided



# 1641.20  
alu arm - double sided

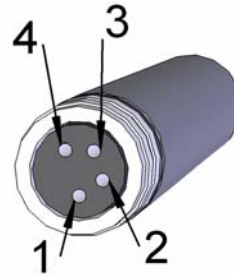
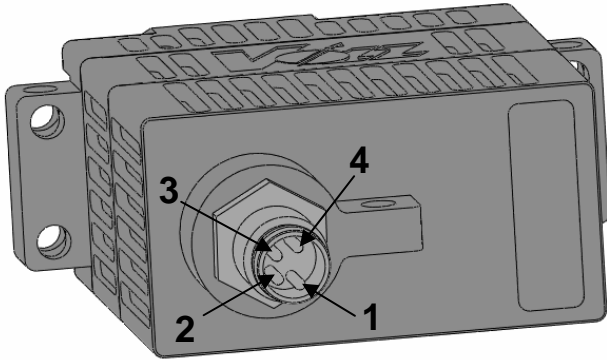


**DA 22-12-4112**

scale 1:1  
all measurements in mm

# DA 22

## Pin Assignment



- 1: +VDC, Supply Voltage
- 2: POS, Position Feedback
- 3: SIG, Signal
- 4: GND, Ground

## Supplier List

### PHOENIX CONTACT GmbH & Co. KG

Flachmarktstrasse 8  
32852 Blomberg  
Germany

Tel. +49(0)5235-3 00  
Fax +49(0)5235-34 12 00

E-Mail: [info@phoenixcontact.com](mailto:info@phoenixcontact.com)  
Internet: [www.phoenixcontact.com](http://www.phoenixcontact.com)

#### Product Identification:

Circular Connector PLUSCON circular  
SACC-M8FS-4CON-M altern. ...-M-SH

### Lumberg Connect GmbH

Im Gewerbepark 2  
58579 Schalksmuehle  
Germany

Tel. +49(0)2355-83 01  
Fax +49(0)2355-83 263

E-Mail: [sales-connect.de@lumberg.com](mailto:sales-connect.de@lumberg.com)  
Internet: [www.lumberg.com](http://www.lumberg.com)

#### Product Identification:

Miniature Circular Connector  
MJ-372/4

### Franz Binder GmbH + Co. Elektrische Bauelemente KG

Roetelstrasse 27  
74172 Neckarsulm  
Germany

Tel. +49(0)7132-325 0  
Fax +49(0)7132-325 150

E-Mail: [info@binder-connector.de](mailto:info@binder-connector.de)  
Internet: [www.binder-connector.de](http://www.binder-connector.de)

#### Product Identification:

Subminiature Circular Connectors  
Series 702 altern. 711

### ESCHA Bauelemente GmbH

Elberfelder Strasse 32  
58553 Halver  
Germany

Tel. +49(0)2353-708 800  
Fax +49(0)2353-708 400

E-Mail: [info@escha.de](mailto:info@escha.de)  
Internet: [www.escha.de](http://www.escha.de)

#### Product Identification:

Round Connector M8x1  
SKP4-... bzw. SKPS4-...