

DA 22-06-4106

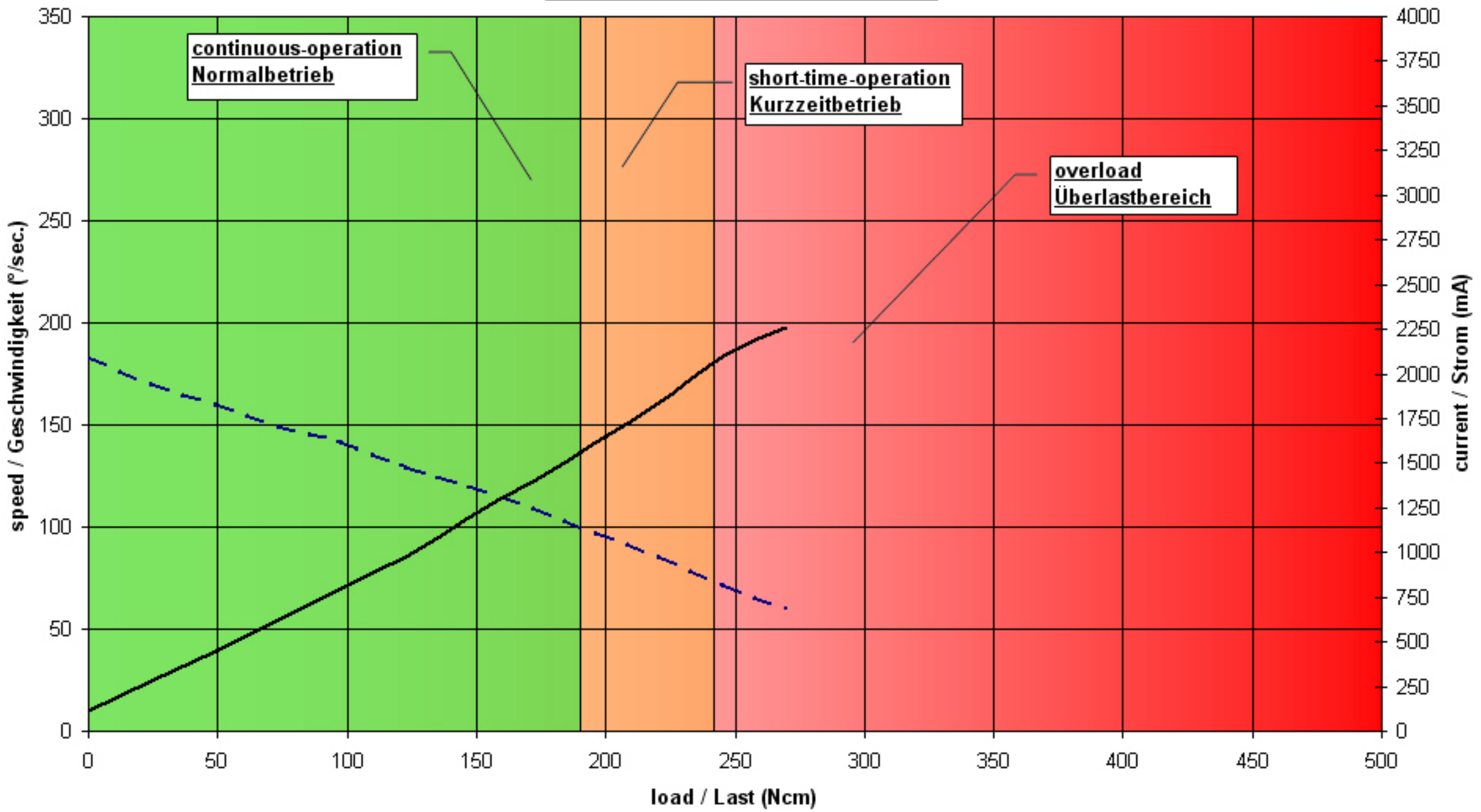
Supply Voltage	
Operating voltage	6 Volt
Signal voltage	TTL level
Current consumption	at 6 Volt
Stand by *	< 10 mA
Stall current *	4400 mA
Input pulse	
Frame rate	2,6-2000 ms
Valid pulse lengths	1,0 – 2,0 ms
Left / Center / Right	1,0 ms / 1,5 ms / 2,0 ms
Resolution	< 0,5 µsec.
Operating data at 6 Volts	
Peak stall torque *	> 350 Ncm
Continuous torque *	190 Ncm
No load speed *	180° / sec.
Max. travel angle (standard)	+/- 85° = 170° total travel
Max. travel angle (optional)	+/- 165° = 330° total travel
Deadband (mechanical)	< 0,5°
Deadband (electrical)	< 0,5 µsec.
Position error under temperature:	< 0,3 -20° C. to +50° C. (= Delta 70° C.)
Operating temperature	-30° C. - +70° C
Max. storage temperature	-35° C. - +80° C
Material / Shielding / Protection	
Case	Saltwater corrosion resistant aluminium alloy
Splash water resistance	Standard
Salt water resistance	Standard
EMI / RFI shielding	Standard
Gear set	hardened steel, english silver, brass
Gear protection system	Standard: ISS-System
Dimensions / Weight	
Case dimensions / Weight	41,6 x 66,0 x 22,0 mm / 132 g ± 0,2 mm / ± 5%
Item Number #	# 22.06.4106

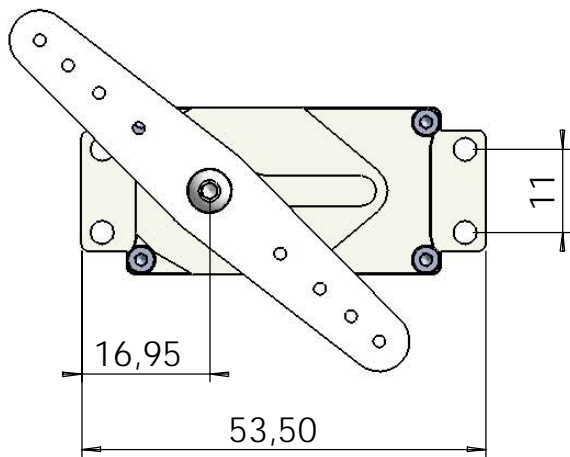
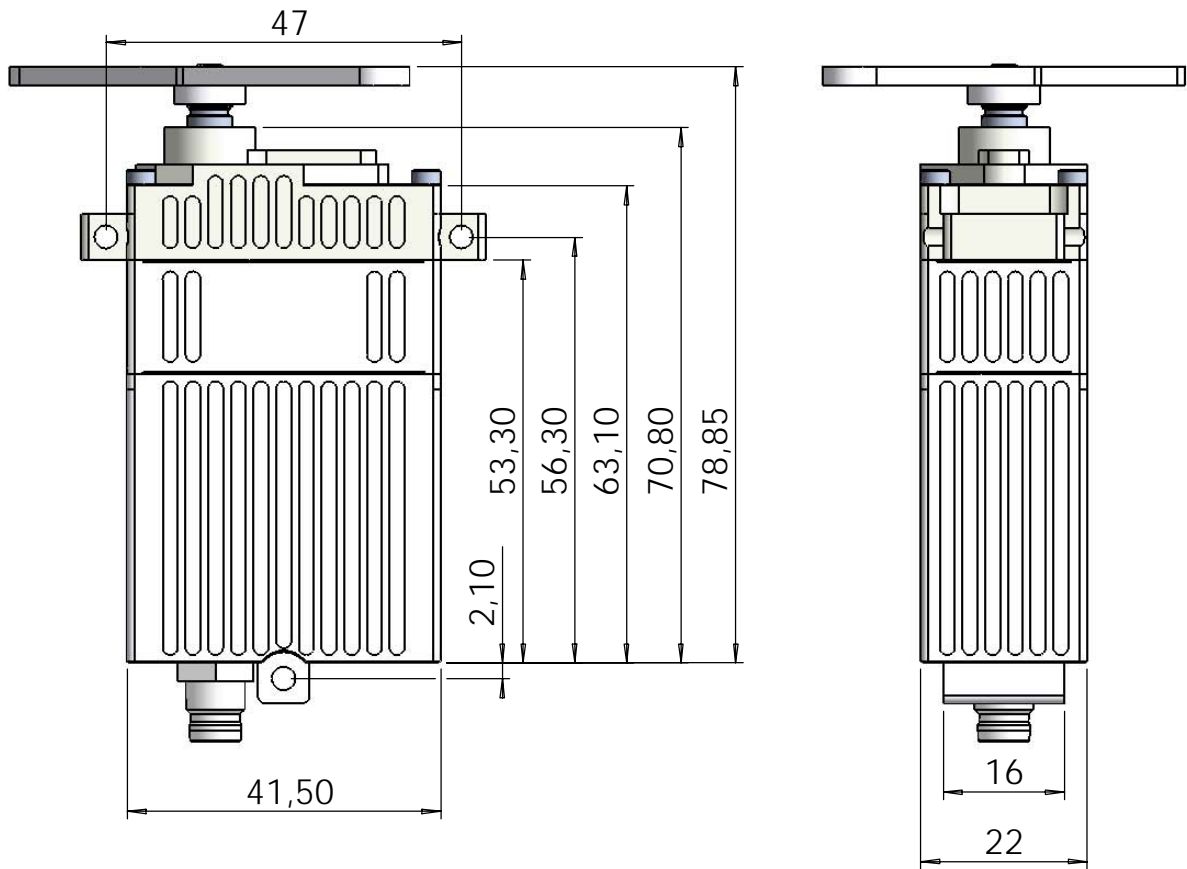
The actuator is fully programmable using programming tool # 985

* tolerance ± 10 %

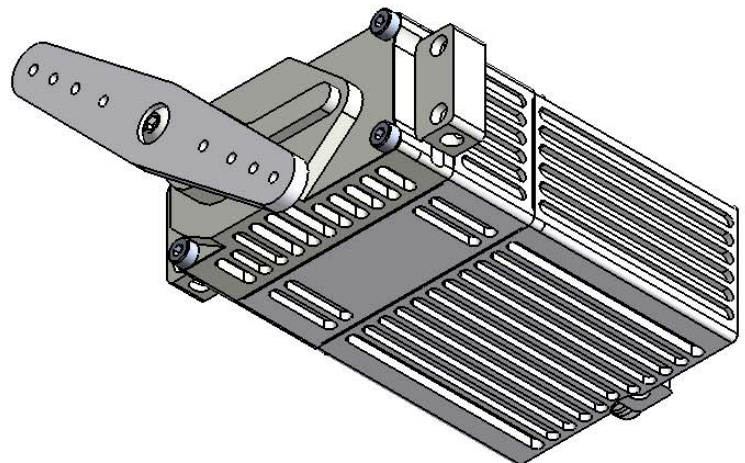
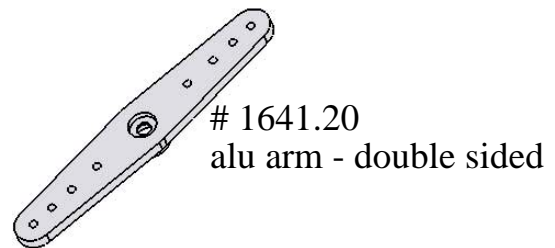
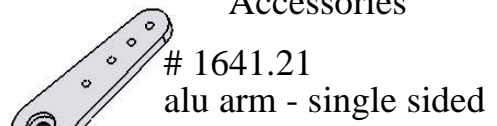
DA 22-06-4106

— speed-graph — current-graph





Accessories

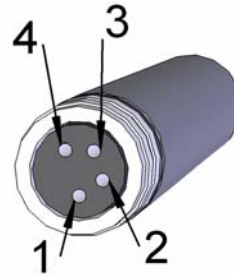
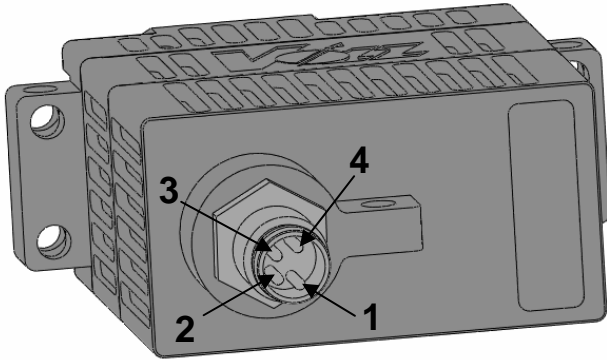


DA 22-06-4106

scale 1:1
all measurements in mm

DA 22

Pin Assignment



- 1: +VDC, Supply Voltage
- 2: POS, Position Feedback
- 3: SIG, Signal
- 4: GND, Ground

Supplier List

PHOENIX CONTACT GmbH & Co. KG

Flachmarktstrasse 8
32852 Blomberg
Germany

Tel. +49(0)5235-3 00
Fax +49(0)5235-34 12 00

E-Mail: info@phoenixcontact.com
Internet: www.phoenixcontact.com

Product Identification:

Circular Connector PLUSCON circular
SACC-M8FS-4CON-M altern. ...-M-SH

Lumberg Connect GmbH

Im Gewerbepark 2
58579 Schalksmuehle
Germany

Tel. +49(0)2355-83 01
Fax +49(0)2355-83 263

E-Mail: sales-connect.de@lumberg.com
Internet: www.lumberg.com

Product Identification:

Miniature Circular Connector
MJ-372/4

Franz Binder GmbH + Co. Elektrische Bauelemente KG

Roetelstrasse 27
74172 Neckarsulm
Germany

Tel. +49(0)7132-325 0
Fax +49(0)7132-325 150

E-Mail: info@binder-connector.de
Internet: www.binder-connector.de

Product Identification:

Subminiature Circular Connectors
Series 702 altern. 711

ESCHA Bauelemente GmbH

Elberfelder Strasse 32
58553 Halver
Germany

Tel. +49(0)2353-708 800
Fax +49(0)2353-708 400

E-Mail: info@escha.de
Internet: www.escha.de

Product Identification:

Round Connector M8x1
SKP4-... bzw. SKPS4-...