

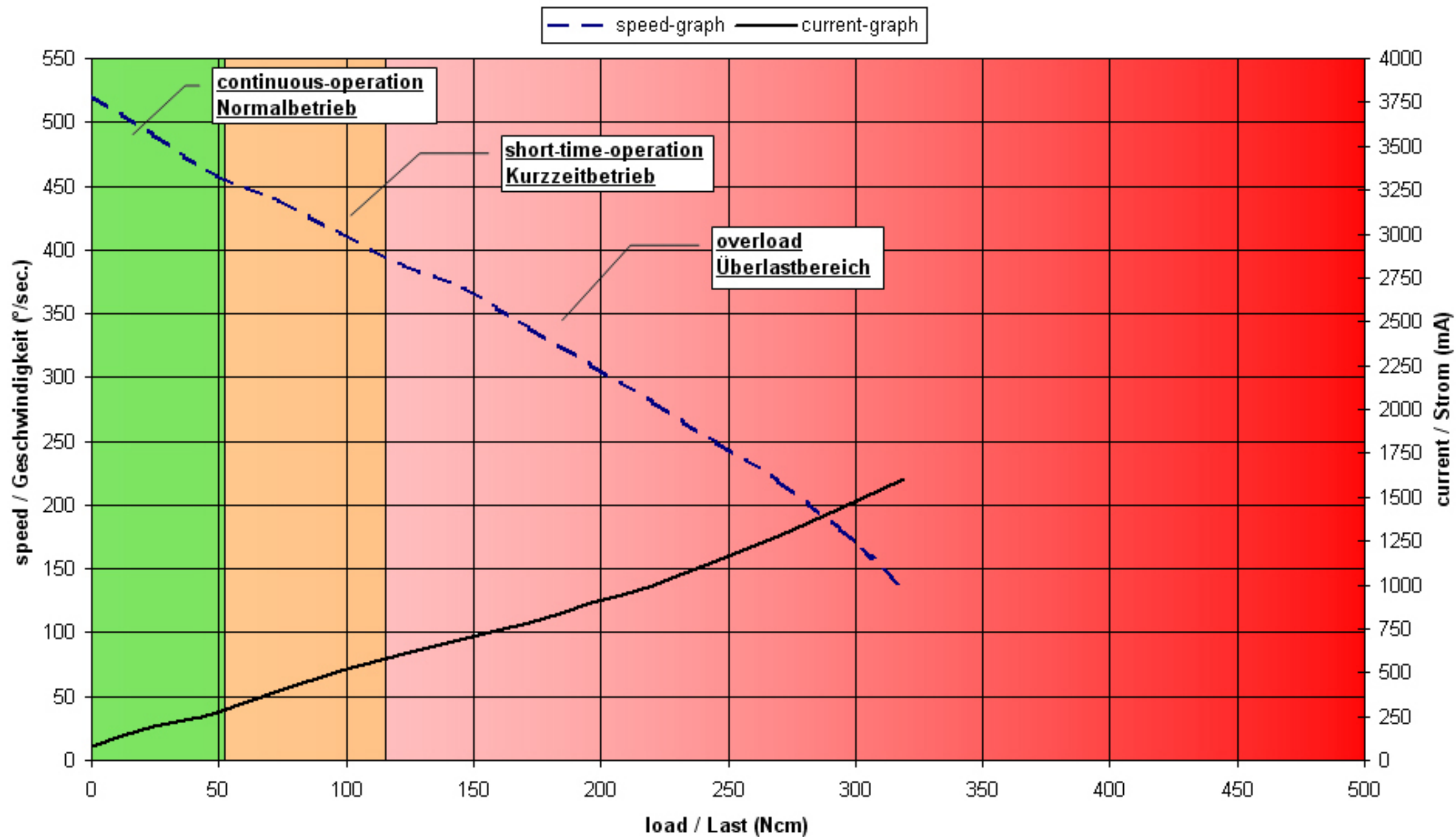
## DA 20-30-2615

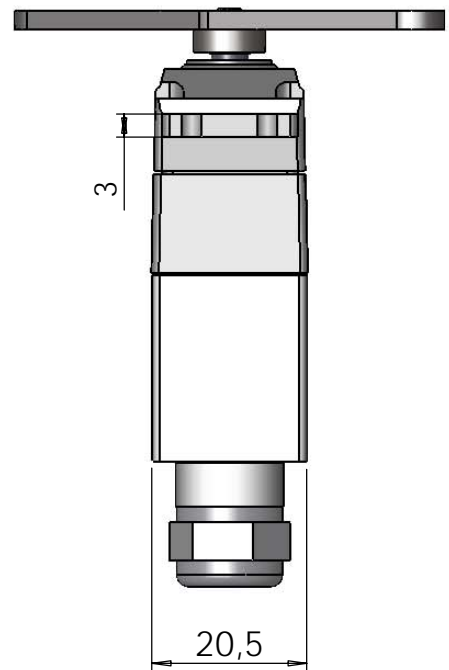
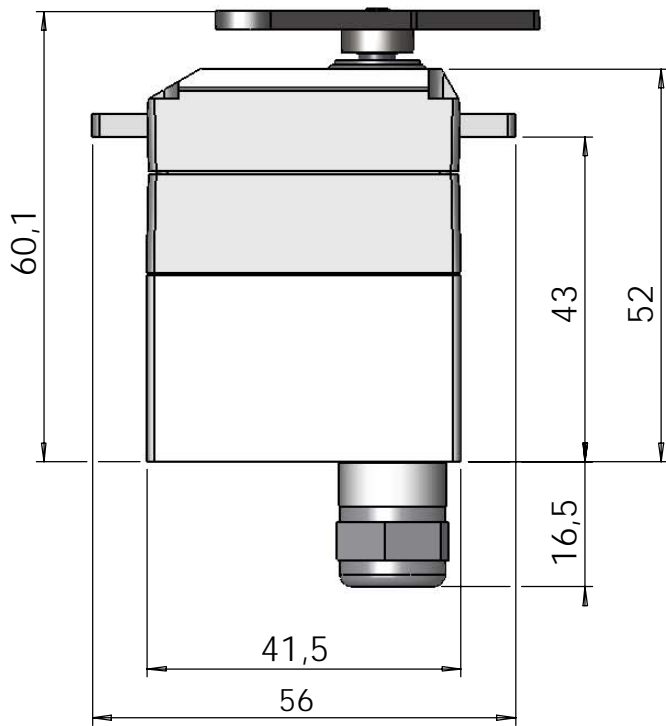
<b>Supply Voltage</b>	
Operating voltage	20-30 V.
Signal voltage	TTL level
Current consumption	at 30 Volt
Stand by *	< 10 mA
Stall current *	2300 mA
<b>Input pulse</b>	
Frame rate	7-20 ms
Valid pulse lengths	0,9 – 2,1 ms
Left / Center / Right	0,9 ms / 1,5 ms / 2,1 ms
Resolution	< 0,5 µsec.
<b>Operating data at 30 Volts</b>	
Peak stall torque *	> 350 Ncm
No load speed *	520° / sec.
Max. travel angle (standard)	+/- 85° = 170° total travel
Max. travel angle (optional)	+/- 165° = 330° total travel
Deadband (mechanical)	< 0,5°
Deadband (electrical)	< 0,5 µsec.
Position error under temperature:	< 0,3 -20° C. to +50° C. (= Delta 70° C.)
Operating temperature	-30° C. - +70° C.
Max. storage temperature	-35° C. - +80° C.
<b>Material / Shielding / Protection</b>	
Case	Aluminium
Splash water resistance	Standard
Salt water resistance	Optional
EMI / RFI shielding	Standard
Gear set	hardened steel, english silver, brass
Gear protection system	Optional: ISS-System
<b>Dimensions / Weight</b>	
Case dimensions / Weight	41,57 x 52 x 20,5 mm / 124 g ± 0,2 mm / ± 5%
Item Number #	# 20-30-2615

The actuator is fully programmable using programming tool # 985

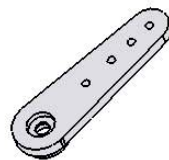
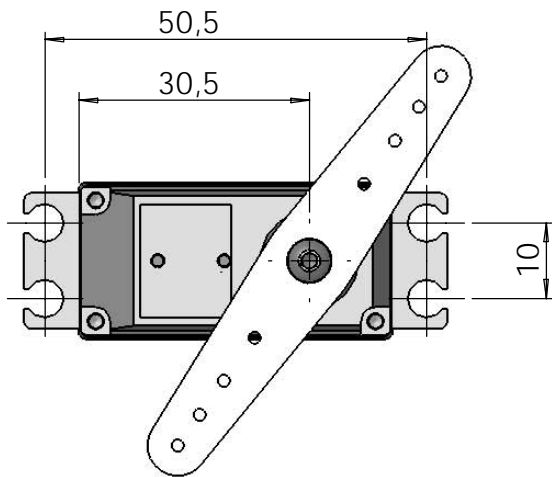
\* tolerance ± 10 %

# DA 20-30-2615

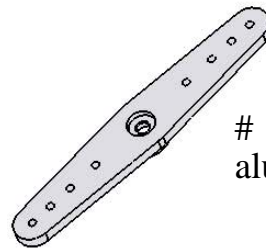




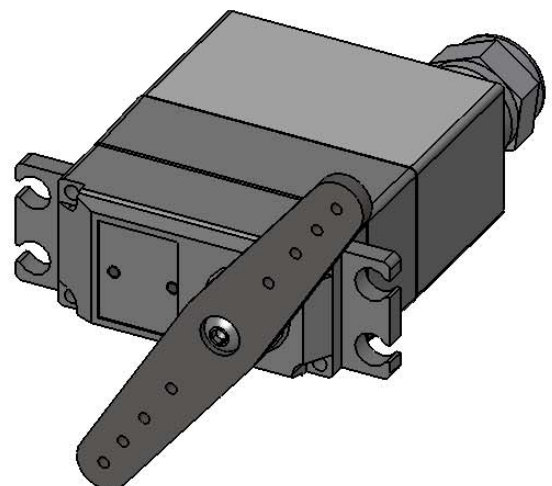
Accessories



# 1641.21  
alu arm - single sided



# 1641.20  
alu arm - double sided



**DA 20-30-2615**

scale 1:1  
all measurements in mm