

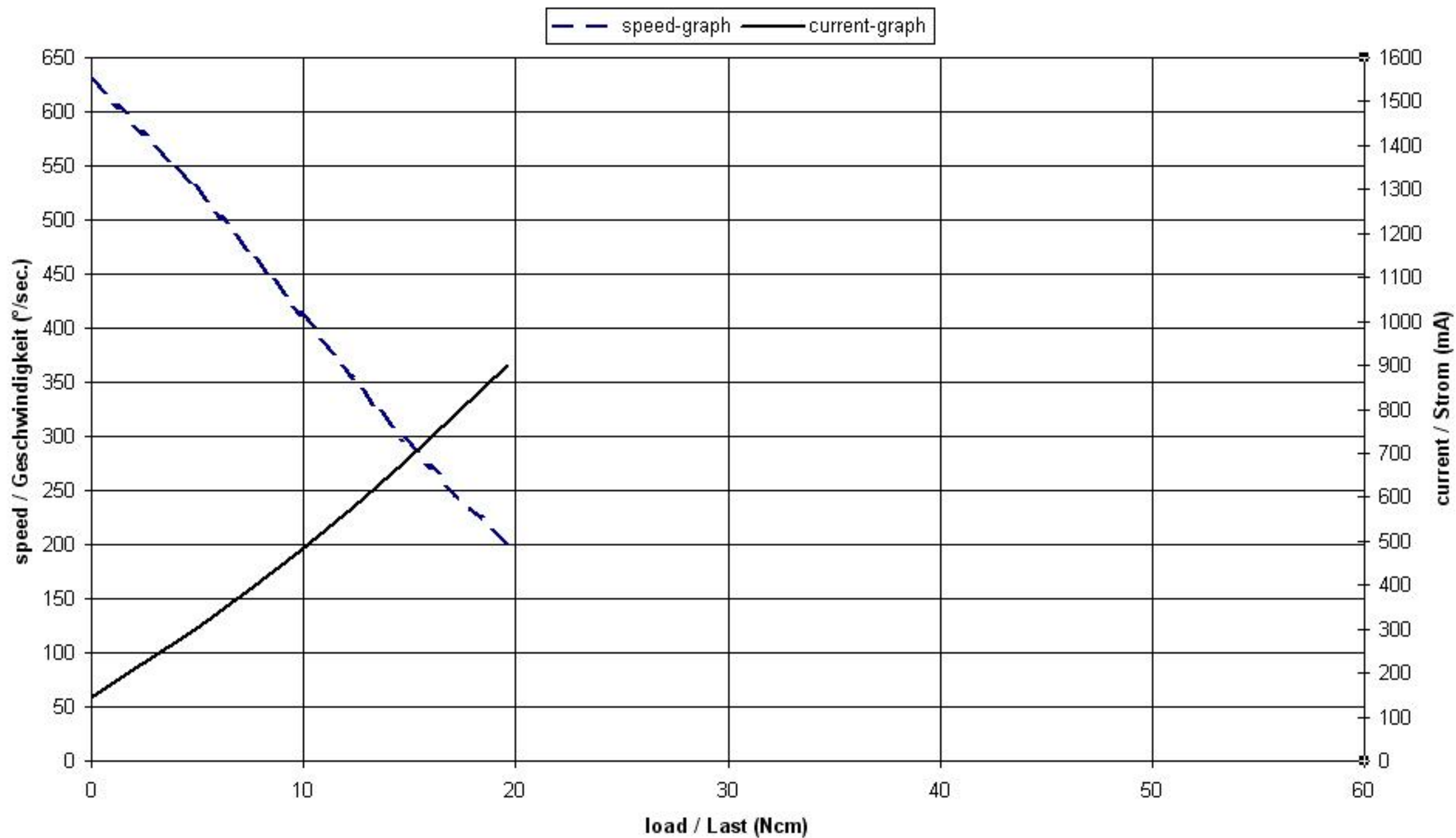
## DA 15-05-32

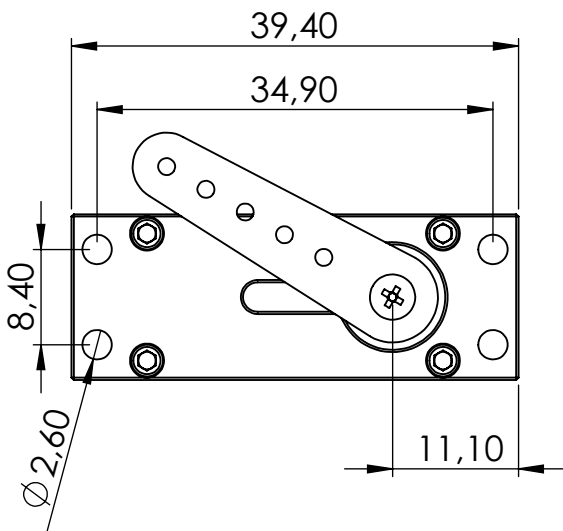
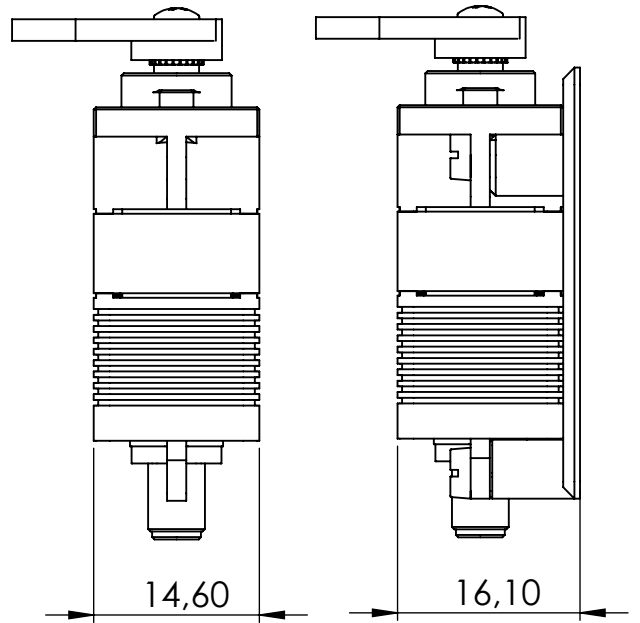
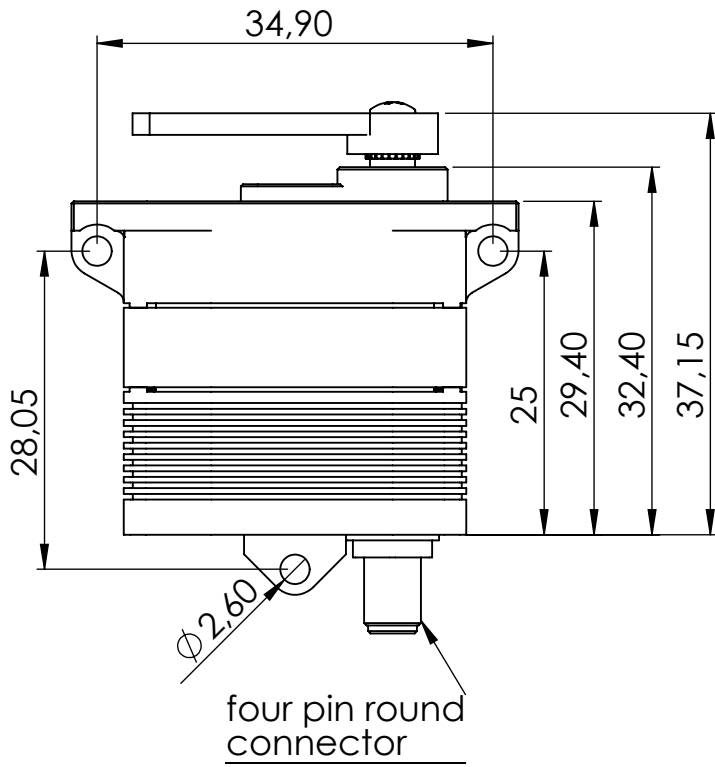
<b>Supply Voltage</b>	
Operating voltage	4,8-5 V.
Signal voltage	TTL level
Current consumption	at 5 Volt
Stand by *	< 8 mA
Stall current *	1300 mA
<b>Input pulse</b>	
Frame rate	7-20 ms
Valid pulse lengths	0,9 – 2,1 ms
Left / Center / Right	0,9 ms / 1,5 ms / 2,1 ms
Resolution	< 0,5 µsec.
<b>Operating data at 5 Volts</b>	
Peak stall torque *	32 Ncm
No load speed *	620° / sec.
Max. travel angle (standard)	+/- 65° = 130° total travel
Deadband (mechanical)	< 0,5°
Deadband (electrical)	< 0,5 µsec.
Position error under temperature: -20° C. to +50° C. (= Delta 70° C.)	< 0,3
Operating temperature	-30° C. - +70° C.
Max. storage temperature	-35° C. - +80° C.
<b>Material / Shielding / Protection</b>	
Case	Saltwater corrosion resistant aluminium alloy / Hart-Coat
Splash water resistance	IP 67
Salt water resistance	Standard
EMI / RFI shielding	Standard
Gear set	Hardened steel
Gear protection system	optional
<b>Dimensions / Weight</b>	
Case dimensions / Weight	32,4 x 39,4 x 14,6 mm / 26 g ± 0,2 mm / ± 5%
Item Number #	# 15-05-32

The actuator is fully programmable using programming tool # 985

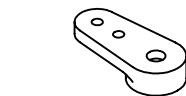
\* tolerance ± 10 %

# DA 15-05-32

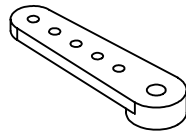




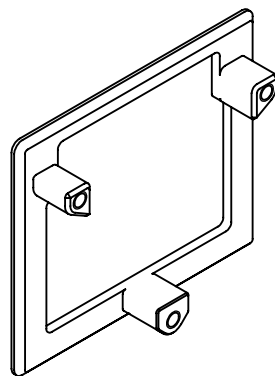
#### Accessories



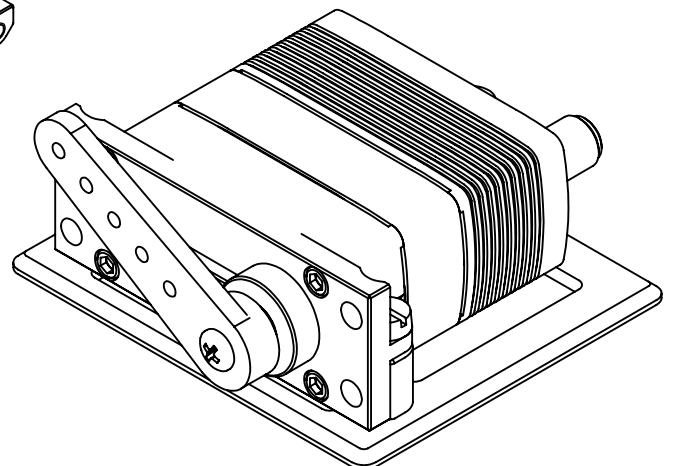
#1521.21  
alu arm - short, single sided



#1521.22  
alu arm - long, single sided

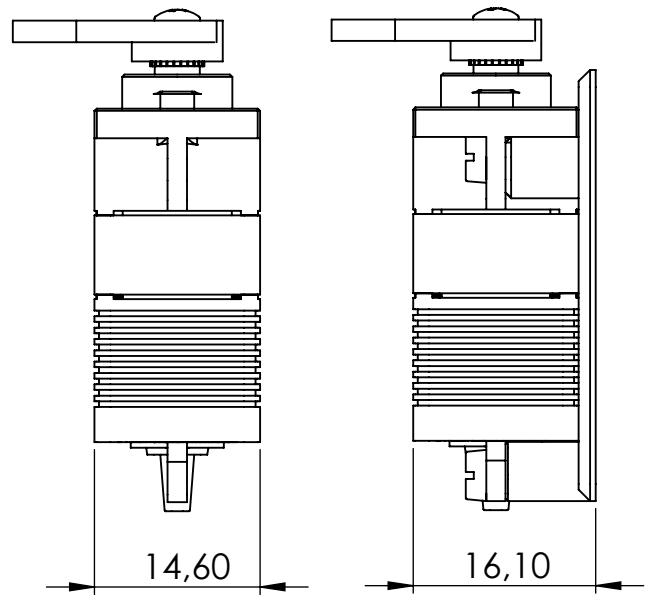
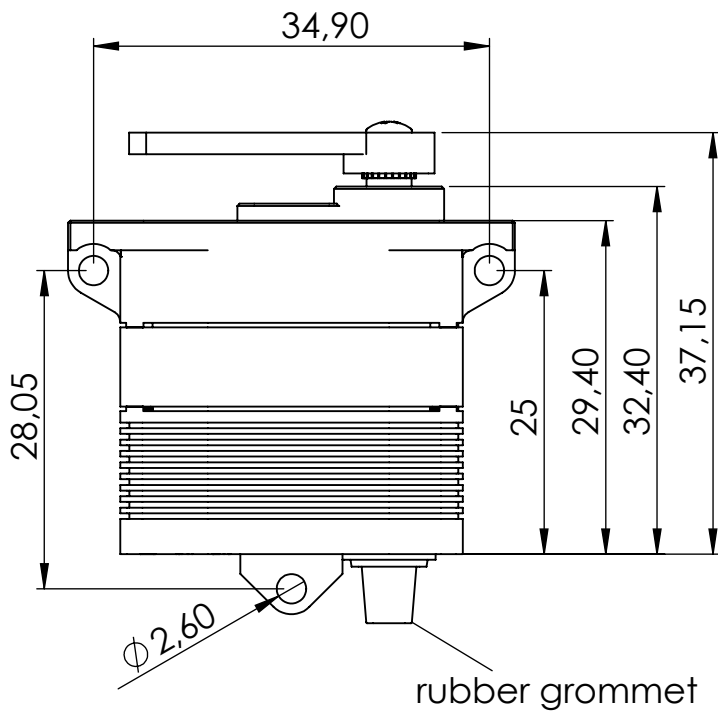


#1521.31  
alu mounting frame  
incl. screws and washers

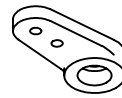
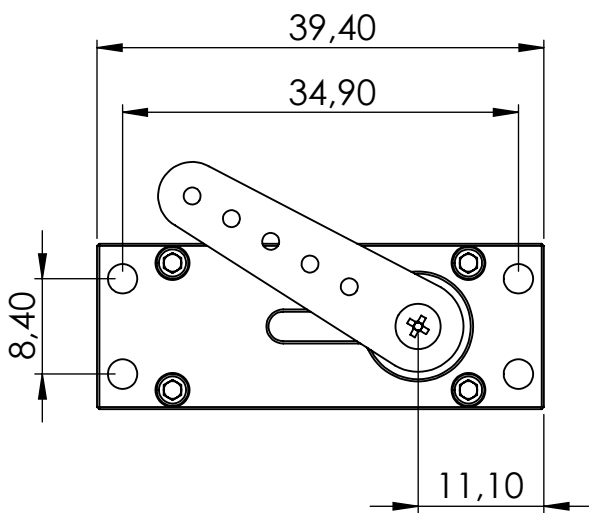


**DA 15-05-32**

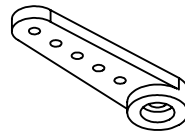
scale 1,5:1  
all measurements in mm



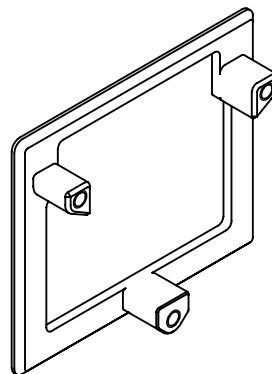
### Accessories



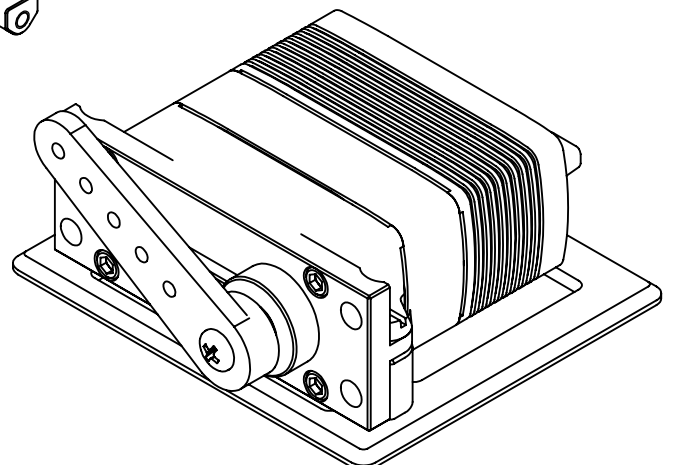
#1521.21  
alu arm - short, single sided



#1521.22  
alu arm - long, single sided



#1521.31  
alu mounting frame  
incl. scrwes and washers



**DA 15-05-32**

scale 1,5:1  
all measurements in mm