

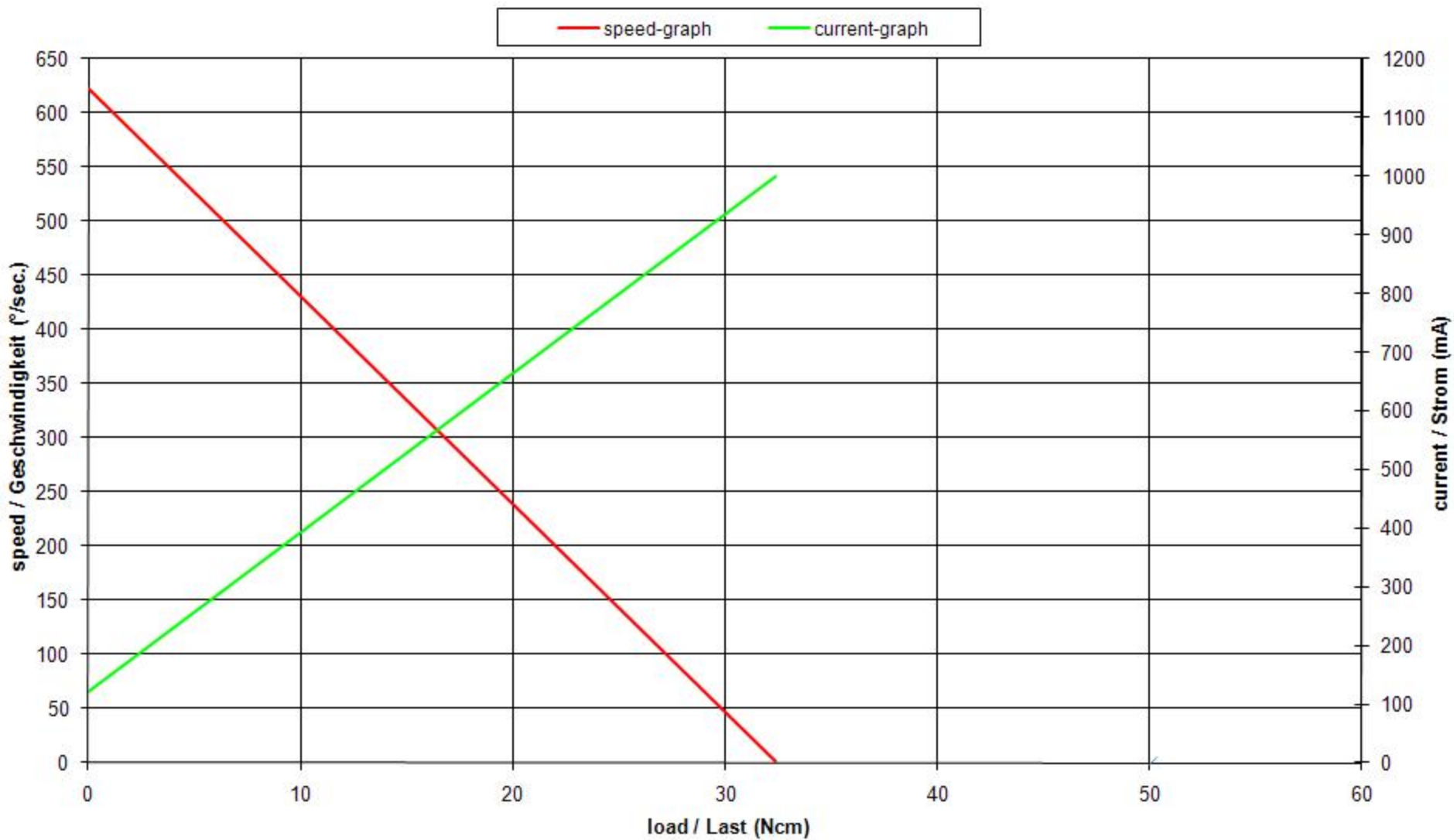
## DA 13-05-32

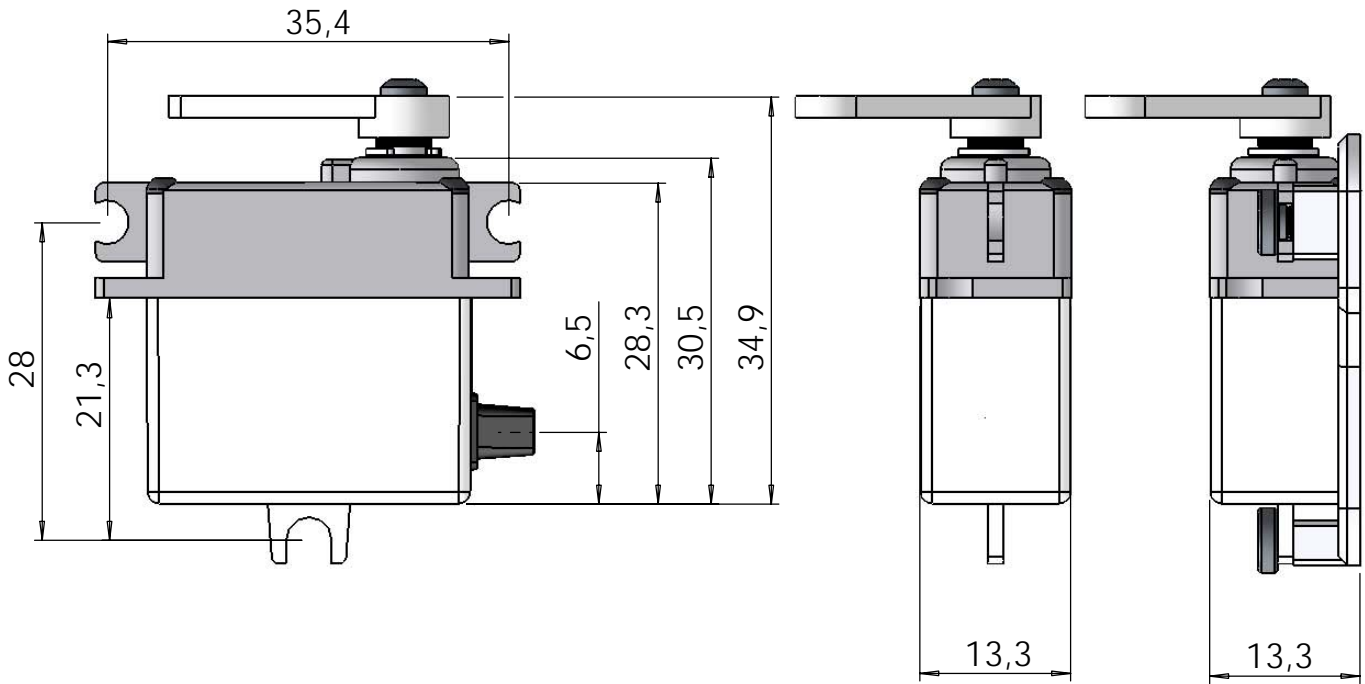
<b>Supply Voltage</b>	
Operating voltage	4.8-5 V.
Signal voltage	TTL level
Current consumption	at 5 Volt
Stand by *	< 8 mA
Stall current *	1000 mA
<b>Input pulse</b>	
Frame rate	7-20 ms
Valid pulse lengths	0.9 – 2.1 ms
Left / Center / Right	0.9 ms / 1.5 ms / 2.1 ms
Resolution	< 0.5 $\mu$ sec.
<b>Operating data at 5 Volts</b>	
Peak stall torque *	32 Ncm
No load speed *	620° / sec.
Max. travel angle (standard)	+/- 65° = 130° total travel
Deadband (mechanical)	< 0.5°
Deadband (electrical)	< 0.5 $\mu$ sec.
Position error under temperature: -20° C. to +50° C. (= Delta 70° C.)	< 0.3
Operating temperature	-30° C. - +70° C.
Max. storage temperature	-35° C. - +80° C.
<b>Material / Shielding / Protection</b>	
Case	POM, Chrome plated base
Splash water resistance	Optional
Salt water resistance	Optional
EMI / RFI shielding	Optional
Gear set	Hardened steel
Gear protection system	optional
<b>Dimensions / Weight</b>	
Case dimensions / Weight	28.5 x 28.5 x 13 mm / 19 g $\pm$ 0.2 mm / $\pm$ 5%
Item Number #	# 13-05-32

The actuator is fully programmable using programming tool # 985

\* tolerance  $\pm$  10 %

# DA 13-05-32 @ 5V

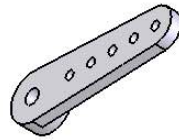




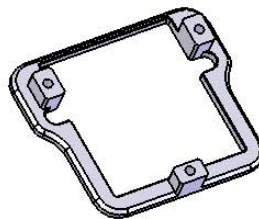
#### Accessories



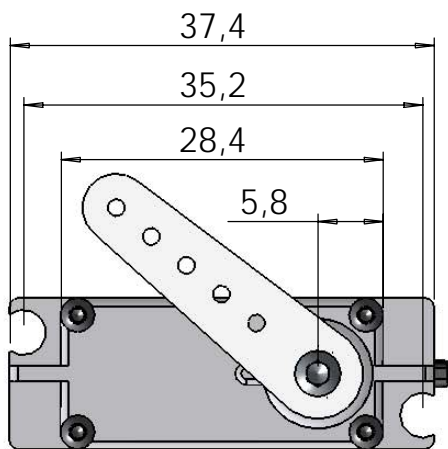
# 1521.21  
alu arm - short, single sided



# 1641.22  
alu arm - long, single sided



#1503  
alu muonting frame  
incl. screws and washers



**DA 13-05-32**

scale 1,5:1  
all measurements in mm

