

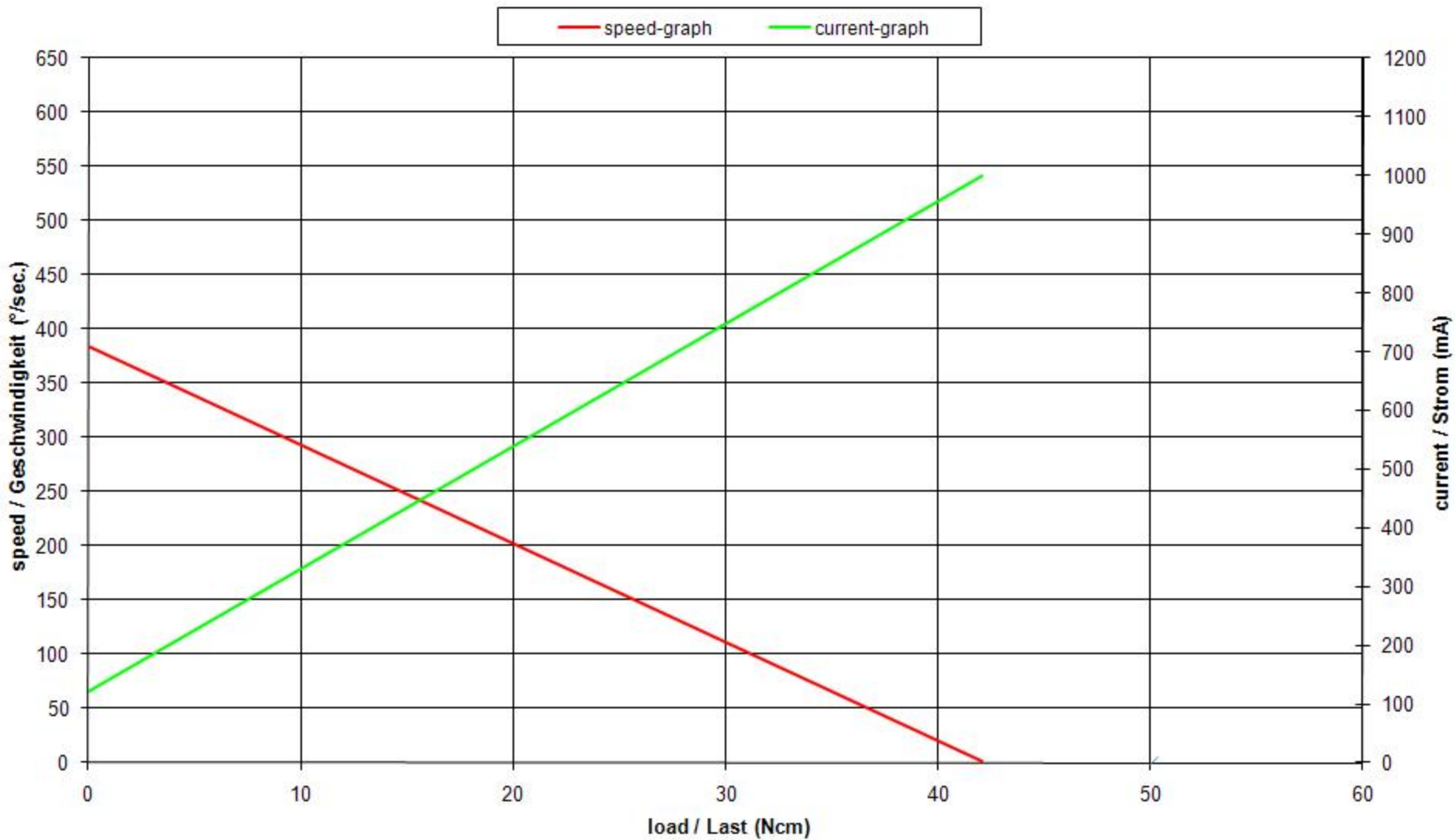
DA 10-05-42

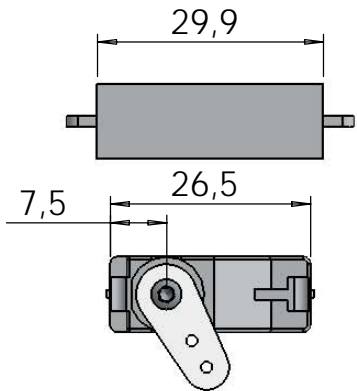
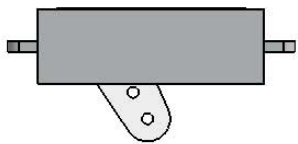
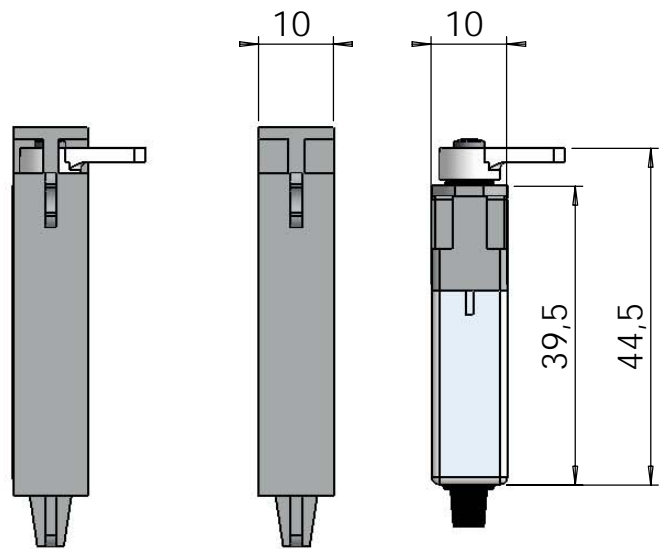
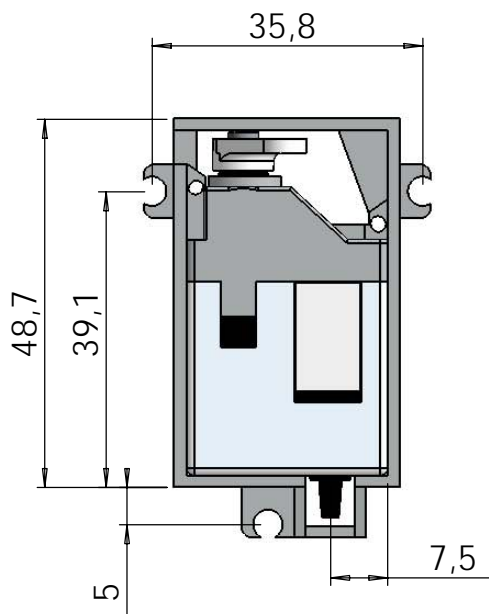
Supply Voltage	
Operating voltage	4.8-5 V.
Signal voltage	TTL level
Current consumption	at 5 Volt
Stand by *	< 8 mA
Stall current *	1000 mA
Input pulse	
Frame rate	7-20 ms
Valid pulse lengths	0.9 – 2.1 ms
Left / Center / Right	0.9 ms / 1.5 ms / 2.1 ms
Resolution	< 0.5 μ sec.
Operating data at 5 Volts	
Peak stall torque *	42 Ncm
No load speed *	380° / sec.
Max. travel angle (standard)	+/- 65° = 130° total travel
Deadband (mechanical)	< 0.5°
Deadband (electrical)	< 0.5 μ sec.
Position error under temperature: -20° C. to +50° C. (= Delta 70° C.)	< 0.3
Operating temperature	-30° C. - +70° C.
Max. storage temperature	-35° C. - +80° C.
Material / Shielding / Protection	
Case	POM, Chrome plated base
Splash water resistance	not available
Salt water resistance	not available
EMI / RFI shielding	not available
Gear set	Hardened steel
Gear protection system	not available
Dimensions / Weight	
Case dimensions / Weight	38.0 x 26.5 x 10 mm / 19 g \pm 0.2 mm / \pm 5%
Item Number #	# 10-05-42

The actuator is fully programmable using programming tool # 985

* tolerance \pm 10 %

DA 10-05-42 @ 5V

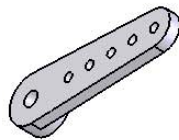




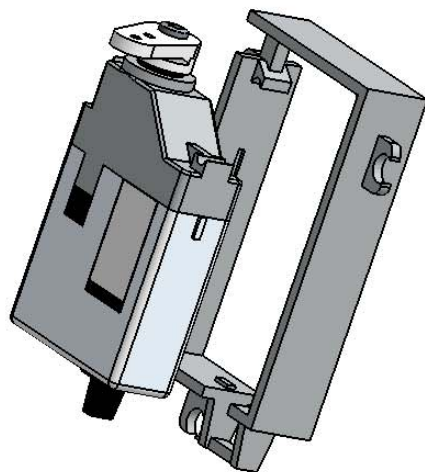
Accessories



1521.21
alu arm - short, single sided



1641.22
alu arm - long, single sided



DA 10-05-42

scale 1:1
all measurements in mm